

CHESTERFIELD

Features

- Solid brass construction
- Quarter-turn washerless ceramic disc valve cartridges
- 3/4" NPT hot and cold inlet fittings
- 9-1/8" (23.2 cm) tub spout reach from inlet fittings (c-c)
- 2" (5.1 cm) handshower diameter
- For deck-mounted configurations
- ADA Compliant
- 1.8 GPM (6.8 LPM) Max, Handshower Only

Exposed Tub & Handshower Set (Deck Mount)

933



Codes / Standards Compliance

Meets or exceeds the following at date of manufacture:

- ASME A112.18.1/CSA B125.1-18
- IAMPO/cUPC
- ADA & ICC/ANSI A117.1
- Energy Policy Act of 1992
- EPA WaterSense
- California Energy Commission
- ASME A112.18.3 (Back Flow)
- All applicable US Federal and State material regulations



Colors / Finishes

- 10B: Oil Rubbed Bronze
- 15: Polished Nickel
- 15S: Satin Nickel - PVD
- 26: Polished Chrome
- Other: Refer to the Newport Brass catalog for additional color/finish options.

Specified Model

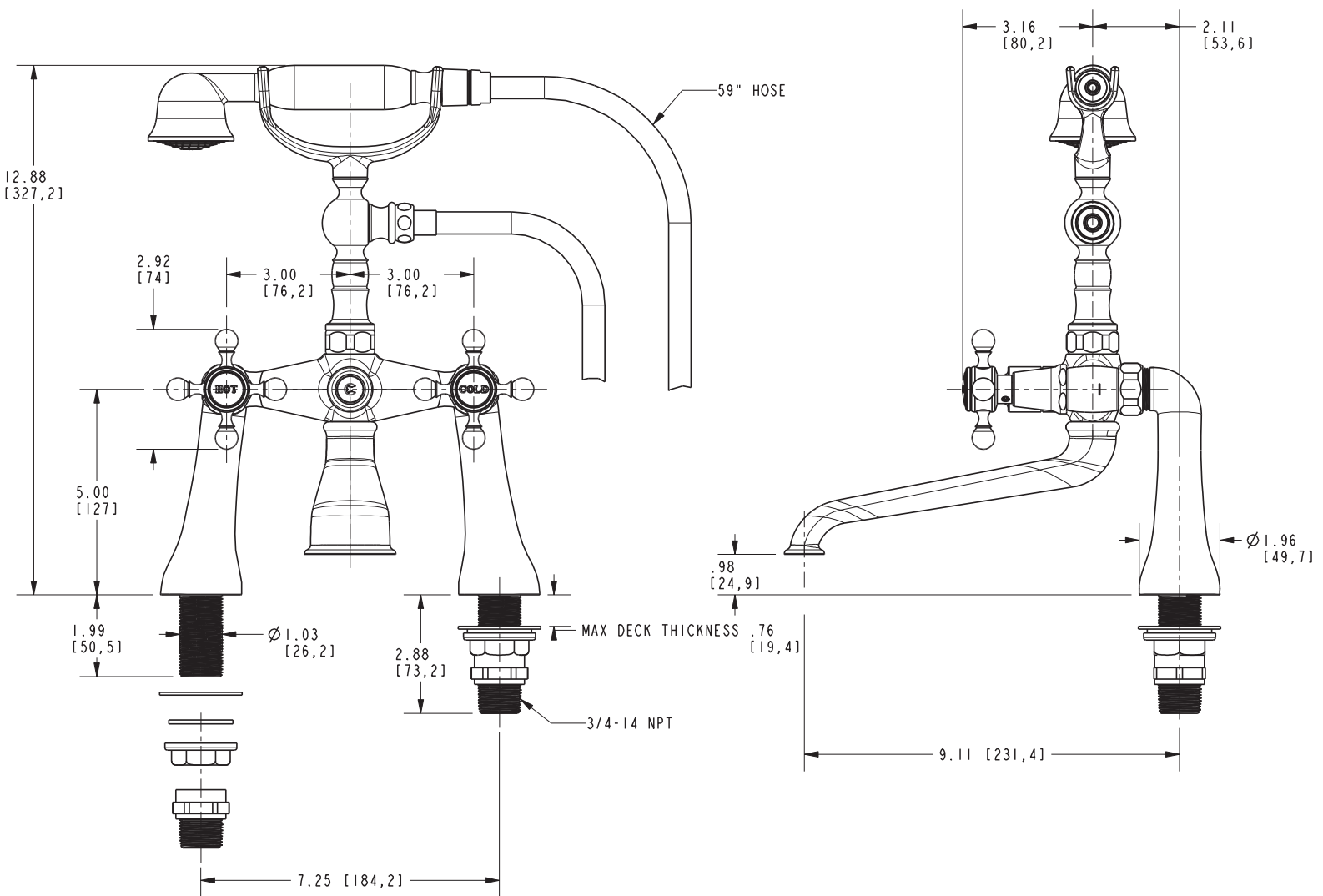
Model	Description	Colors Finishes
933	Exposed Tub & Handshower Set (Deck Mount)	<input type="checkbox"/> 10B <input type="checkbox"/> 15 <input type="checkbox"/> 15S <input type="checkbox"/> 26 <input type="checkbox"/> Other

Product Specification: Add "Color / Finish" suffix to Model number, below.

The Exposed Tub and Handshower Set shall be made of solid brass construction and incorporate quarter-turn washerless ceramic disc valve cartridges. Exposed Tub and Handshower Set shall incorporate a push button diverter and ADA complaint cross handles. Product shall be designed for deck-mounted configurations. Product shall have a 9-1/8"(23.2 cm) tub spout reach (c-c) and 3/4" NPT deck-mounted hot/cold inlet fittings. Product shall feature a solid brass handshower having a diameter of 2" (5.1 cm) and a 1.8 gallons (6.7 liters) per minute maximum flow rate. Exposed Tub and Handshower Set shall be Newport Brass Model 933/_____.

933

PRODUCT DIMENSIONS *(Units are in inches)*



Chesterfield Exposed Tub & Handshower Set (Deck Mount) 933

NEWPORT BRASS
Flawless Beauty. From Faucet to Finish.™